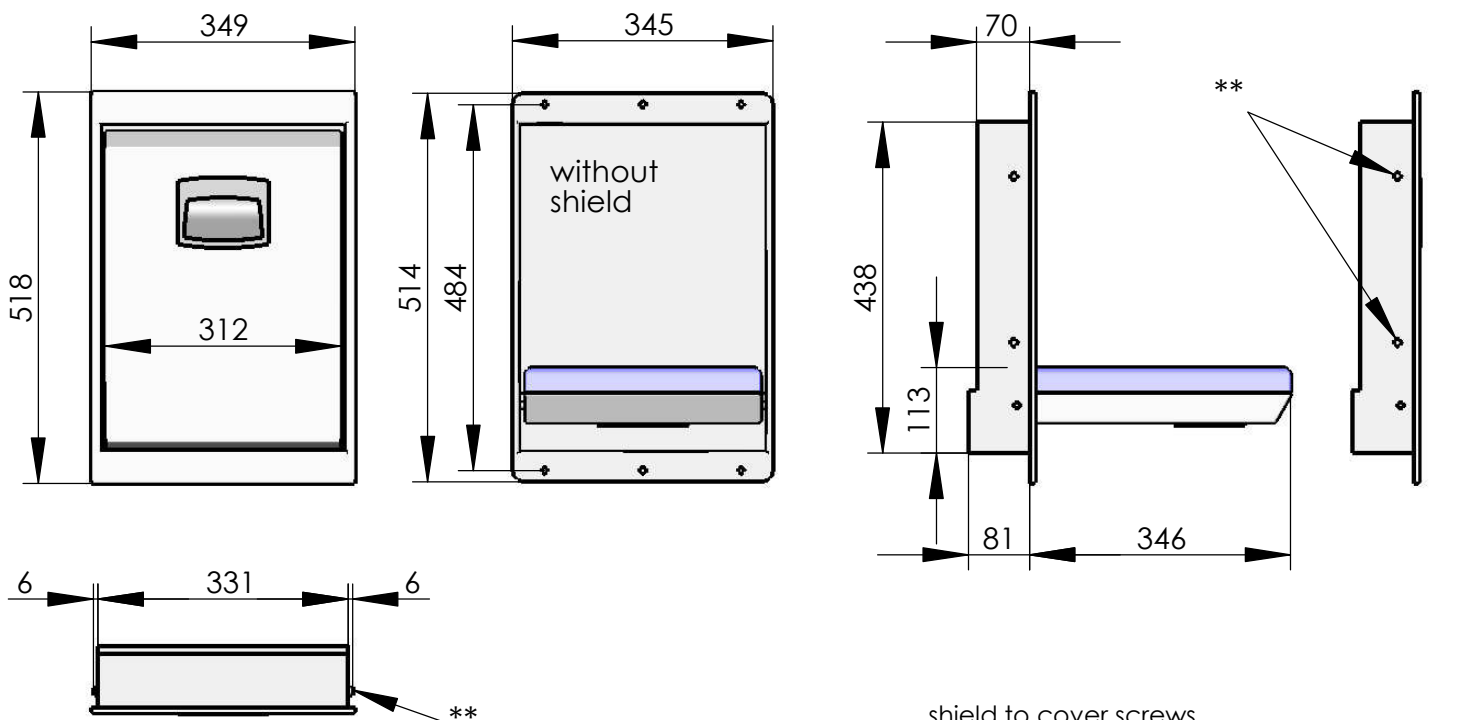
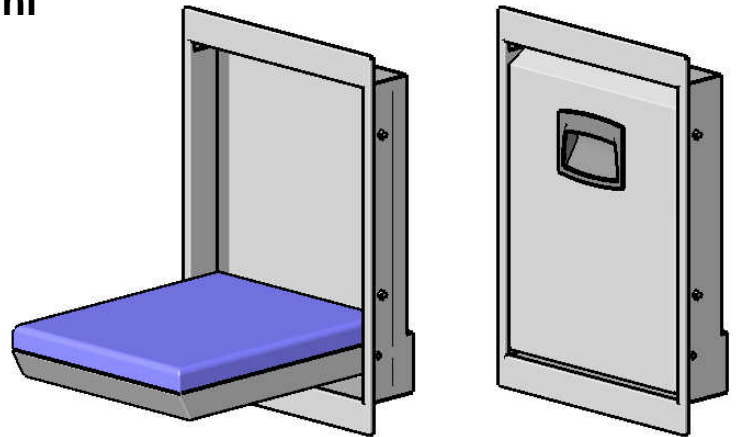
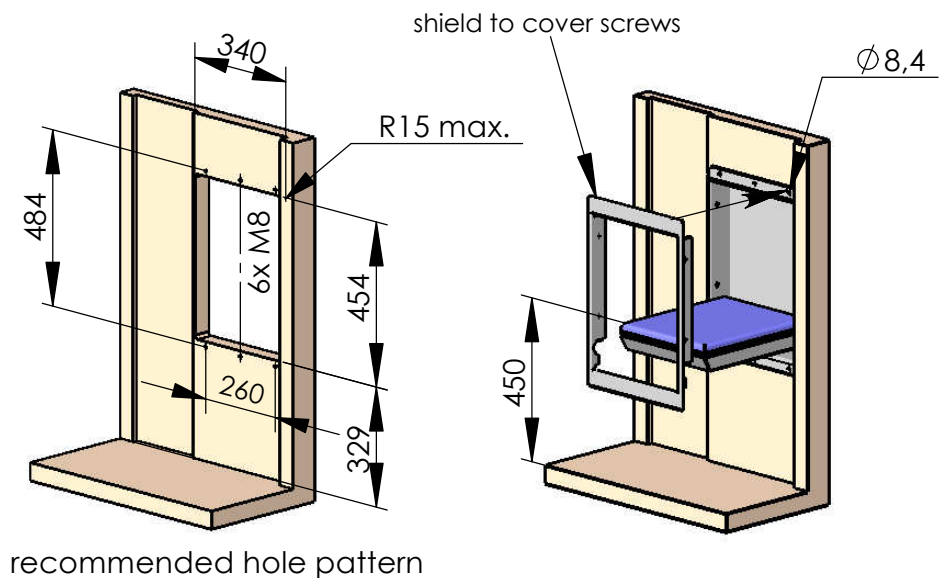


**Model 123-01**  
**Flush built-in fold down seat, mini**  
 Stainless steel



\*\*  
 2x2 screws are overhanging  
 by 6 mm.  
 Width of cut-out  
 here possibly 344 mm.



recommended hole pattern