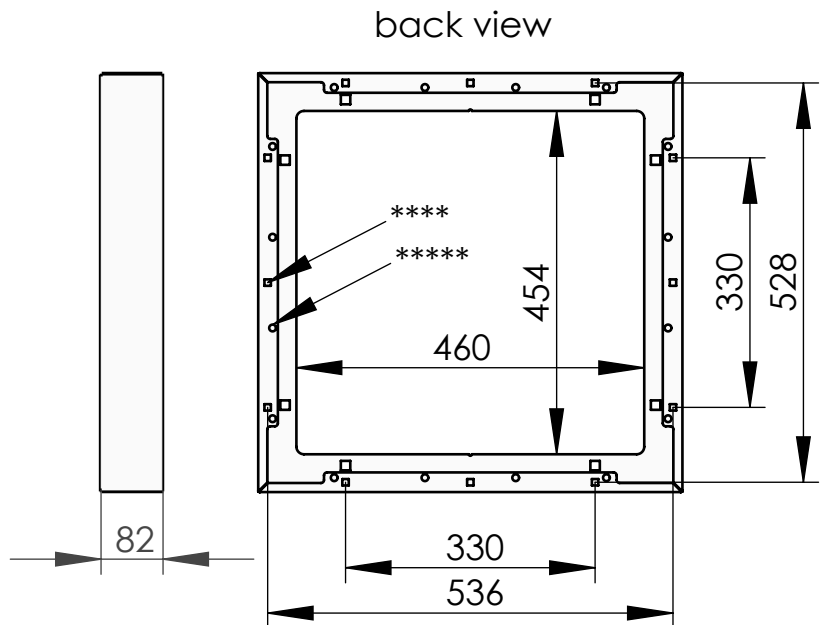
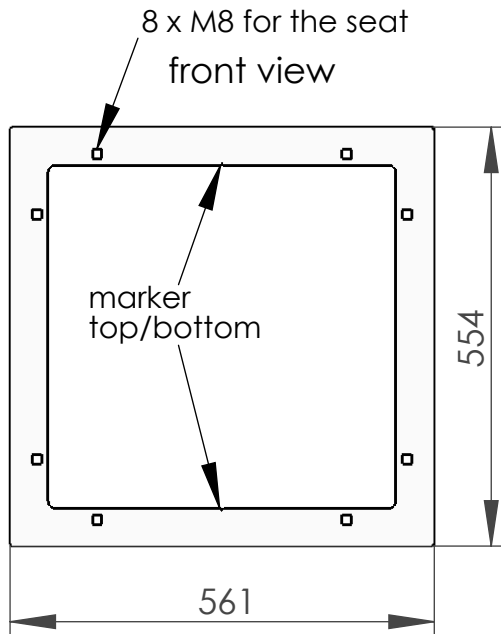
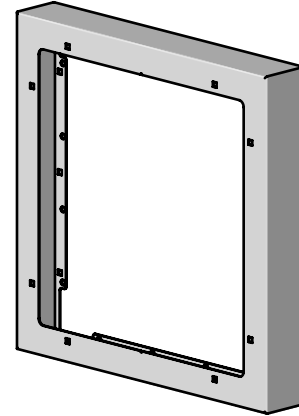
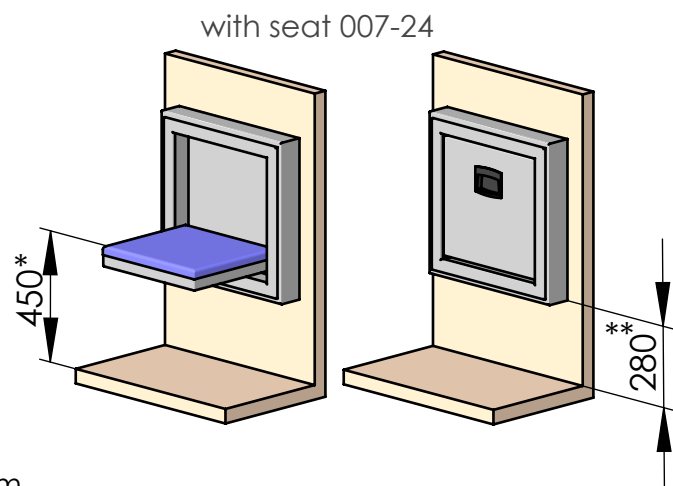
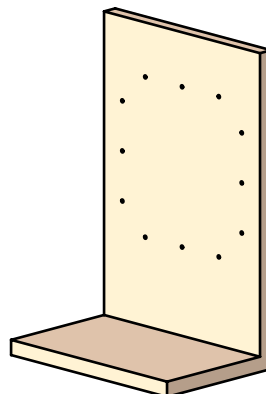
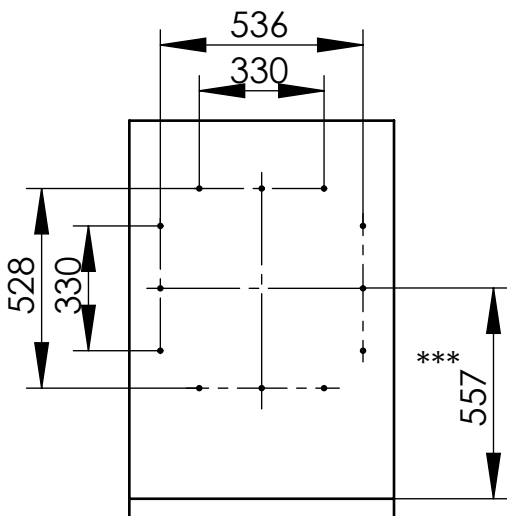


Model 104-11-stainless steel
Wall-casing
 for flush built-in fold down seat



**** 12 holes $\square 8,5$ or
 12 treads M6
 ***** 16 holes $\varnothing 9$



* sitting height acc. to BS EN 81-70: 480 to 520 mm
 ** accordingly 310 to 350 mm, instead of 280 mm
 *** accordingly 587 to 627 mm, instead of 557 mm