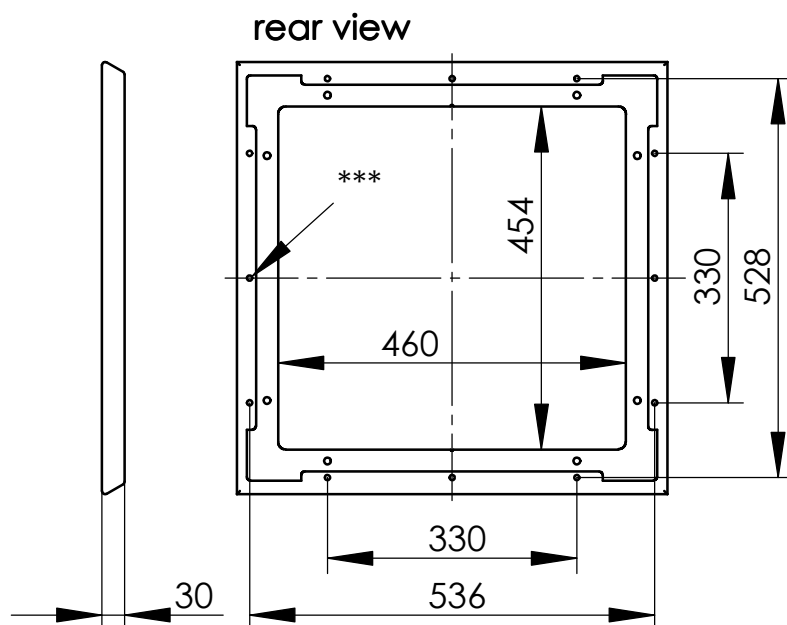
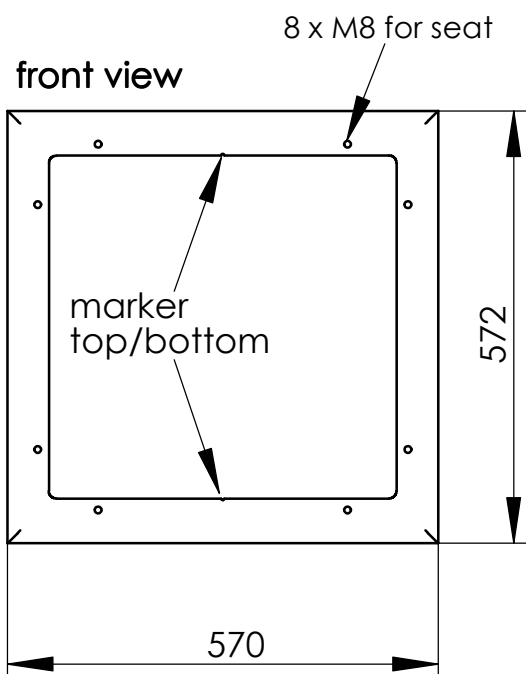
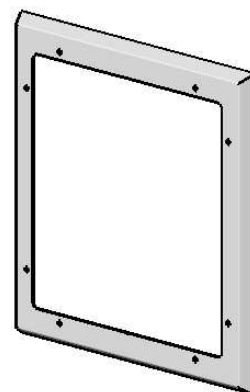
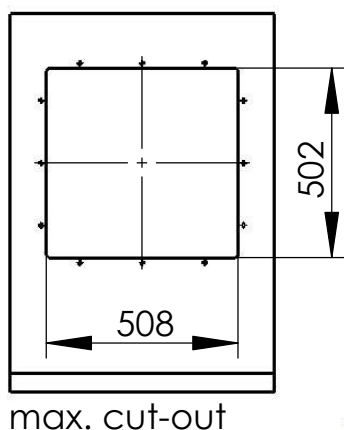
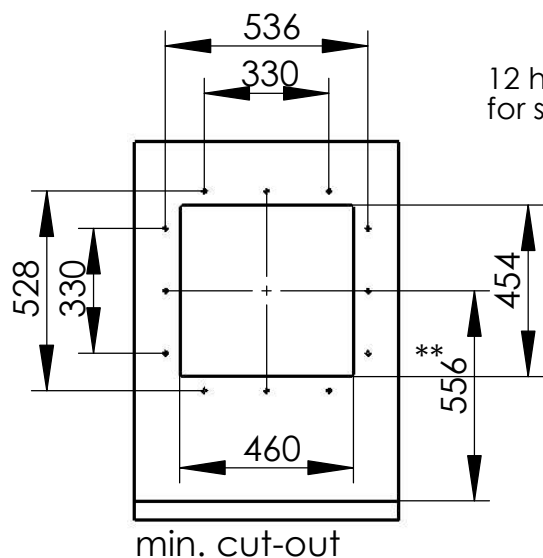


**Model 104-08**

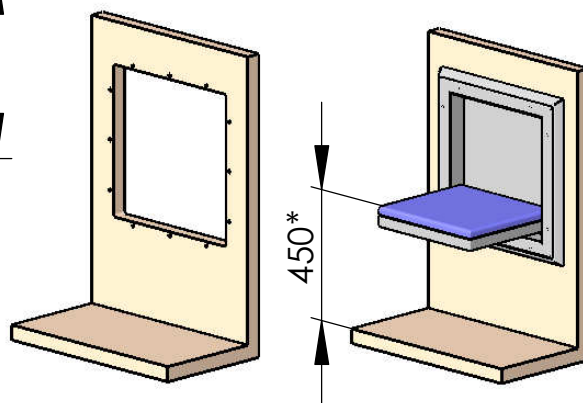
**Spacer frame for flush built-in fold down seat  
 to reduce installation depth**



\*\*\* 12 holes 8,5 x 8,5 or  
 12 threads M6



recommended cut-out



\* sitting height acc.to BS EN 81-70: 480 to 520 mm  
 \*\* accordingly 586 to 626 mm, instead of 556 mm